

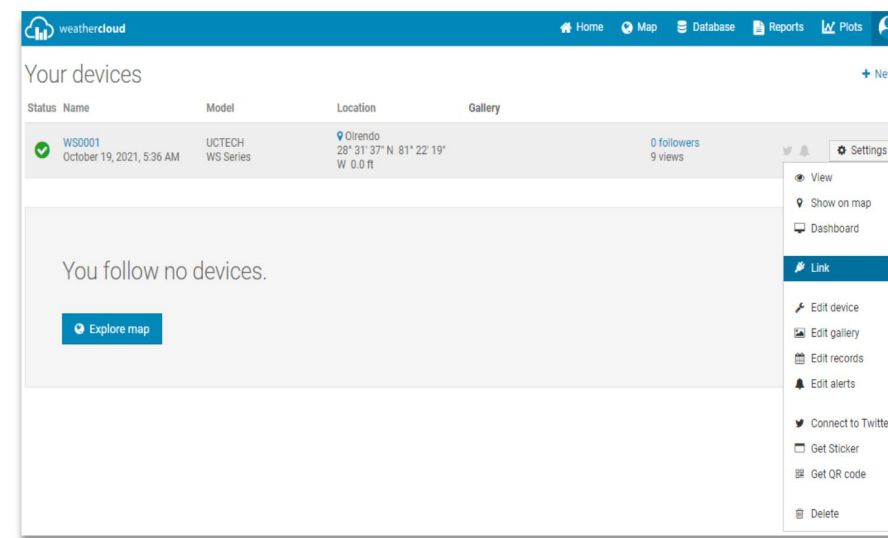
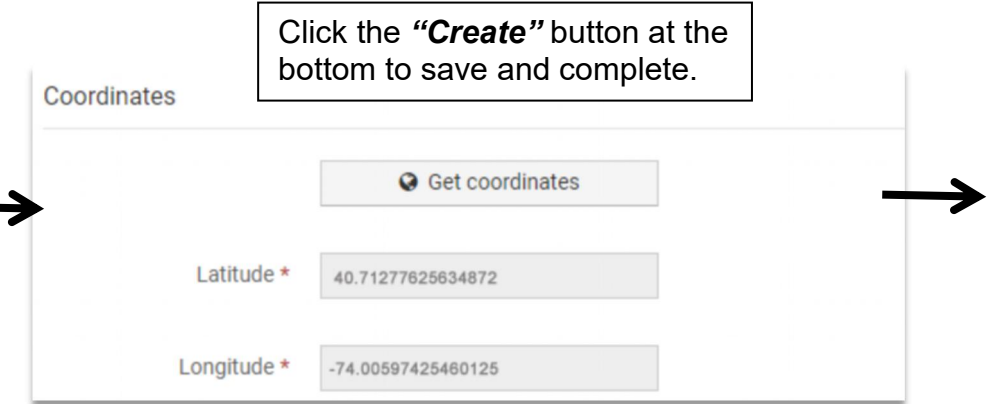
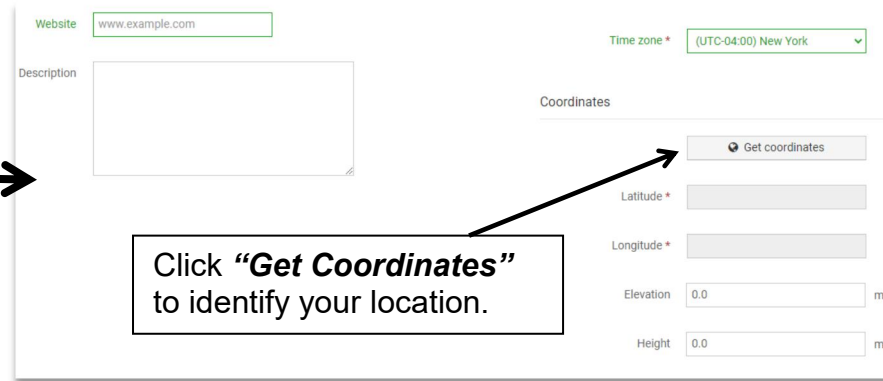
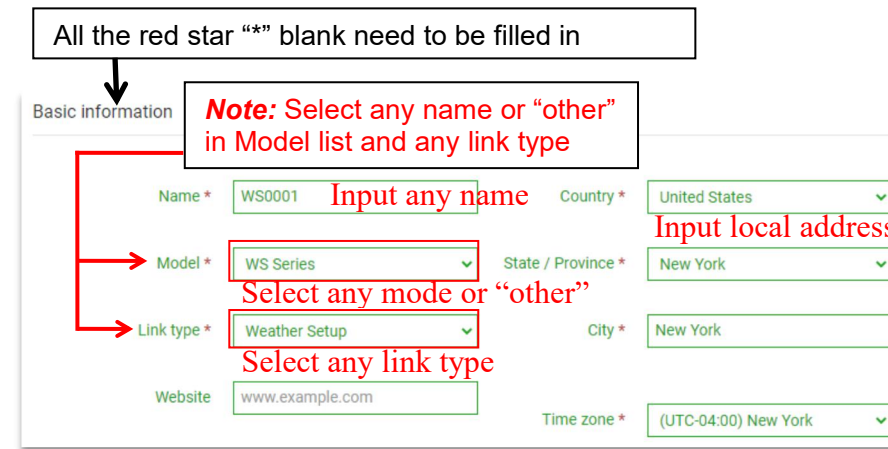
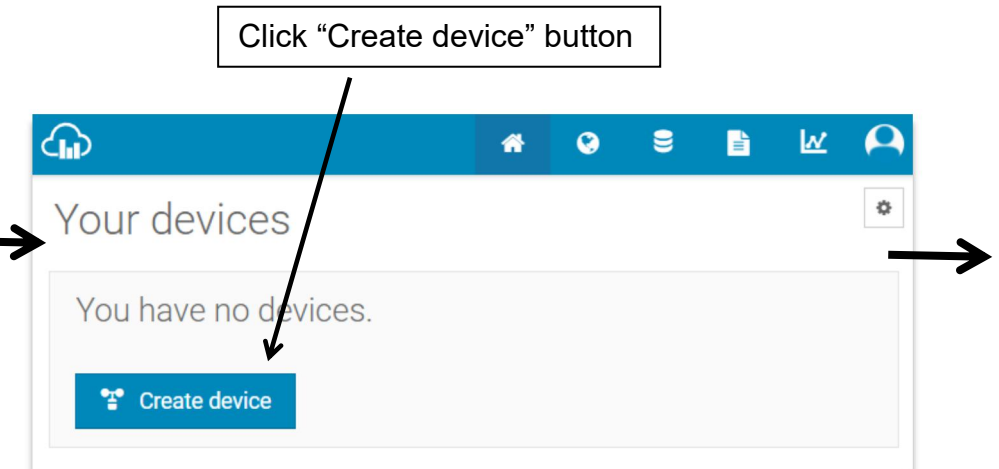
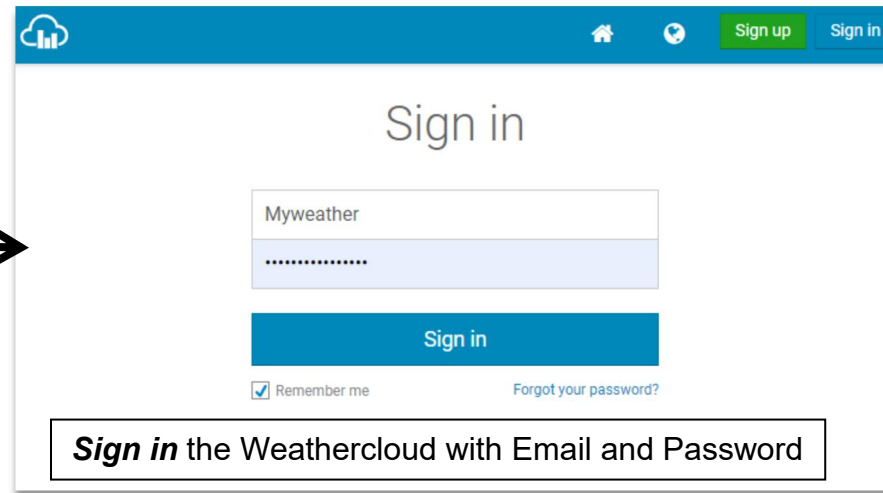
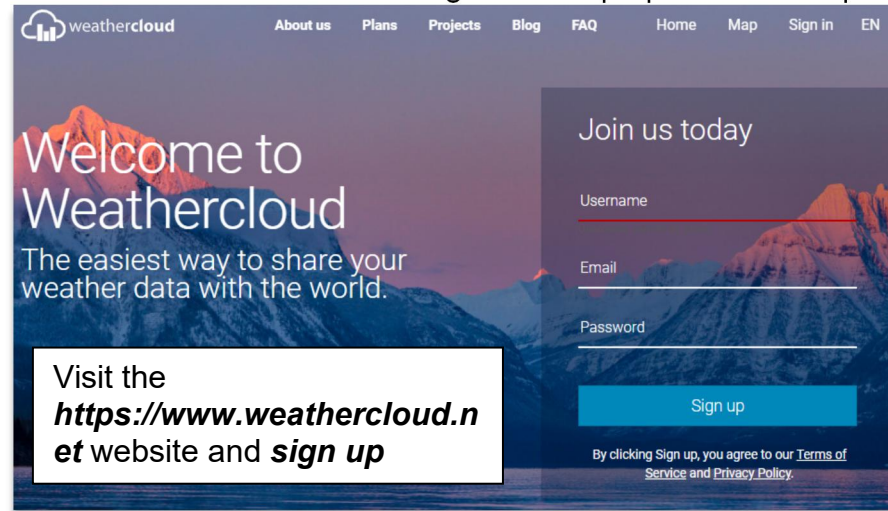
WiFi Simple Setup Guide

1. Weather Server Registration Guide

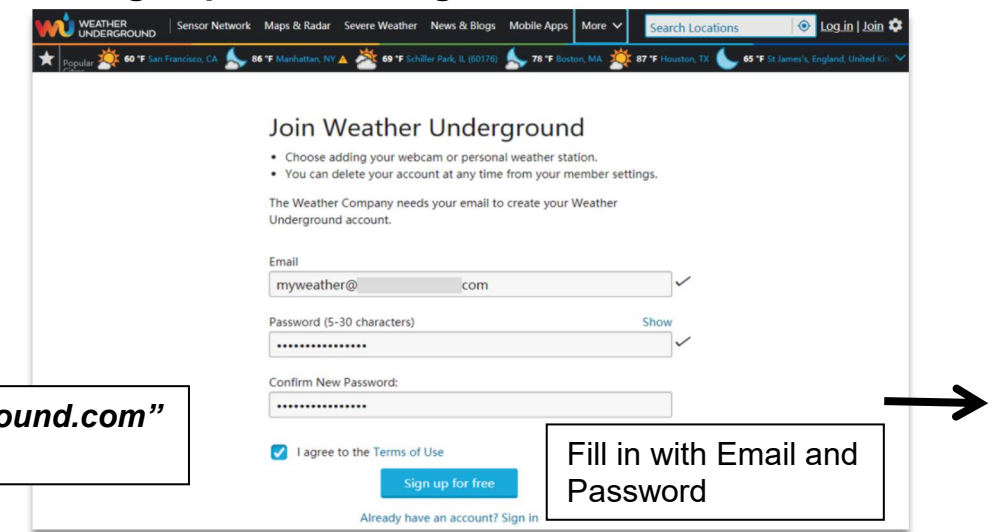
Note: If you have registered the Weathercloud and wunderground account before, only need to create **“New Device”** to add your new weather station information.

1.1 Sign up on Weathercloud.net

Note: You are advised to register on laptop for better experiences.



1.2 Sign up on Wunderground.com



Sign in with Email and Password

Click "My Profile" and select "MY DEVICES" to Add New Devices.

Note: Select any model or other in PWS DropDownList, then click "Next".

Select or input your Local address.

Input any name

Select any model here

Click "I Accept" and "Next"

Registration Complete!

Copy and Record the "station ID" and "Key"

2. WiFi Setup of Display Console

1. Plug in Adapter and Power up the Console.

2. Make sure WiFi icon is flashing.

Open WiFi list of your Laptop and select WLAN of **Weatherhome**. (This network does not require any password, you can connect directly. If you are unable to connect, check if your firewall stops unfamiliar network connections.)

Data Uploading

Once WLAN connected, enter the following IP address into any internet browser's address bar: **http://192.168.5.1** to access the console's web interface. (make sure you include the header "http://", not "192.168.5.1")

Weather Setting

- Input IP address into browser (<http://192.168.5.1>)
- Select your WiFi Router (SSID) (Support only 2.4 GHz Router)
- Router's WiFi Password
- Status display "connected IP" once click the save key
- Confirm to upload into wunderground.com
- Enter Your Station ID
- Enter Your Station Key
- Confirm to upload into weathercloud.net
- Enter Your Weathercloud ID
- Enter Your Weathercloud Key
- Time Zone Settings
- DST ON/OFF
- Internet Time Server
- Press Save to Confirm the Setting

Copy and Paste ID and key information from WU or WC website. Fill in all the other blank table and save.

Note: Once WiFi connected and data is being uploaded, the WiFi and weather data uploading icons stay solid.

Note: Sometimes you need to wait about 30 minutes to see the updated data online.

Click **Save** key and **Status** display "connected IP", then connection completed and you can view the data on WU or WC website.

Quick Setup Instruction

This instruction helps you verify whether the unit is working properly after unboxing.

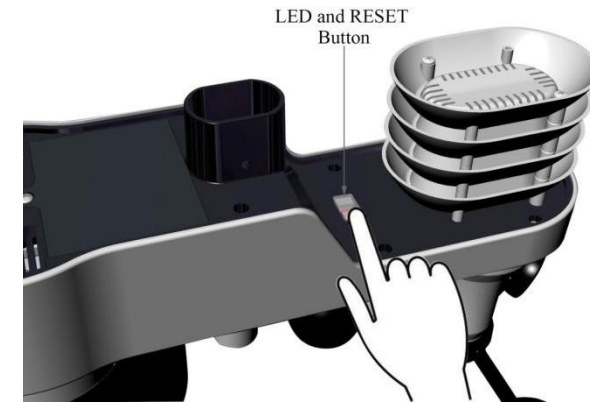
1. Install Batteries for Outdoor Sensor Array



Remove the battery door on the back of the sensor by removing the set screw.



Inserting 3xAA batteries in the battery compartment.

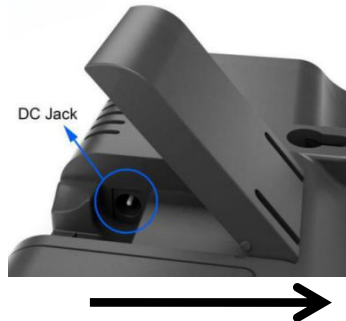


Close the battery door and Tighten the set screw. The sensor LED indicator will light for 3 seconds, and then flash once per 16 seconds thereafter. Each time it flashes, the sensor is transmitting data.

2. Plug in Adapter for Indoor Console



Pull out the stand on the back.



Connect the indoor console with the power adaptor.

The Console will instantly display indoor information, Integrated outdoor sensor data will update on the display within a few minutes. Do not press any buttons until the outside transmitter reports in, otherwise the outdoor sensor search mode will be terminated. **When** the outdoor transmitter data has been received, the console will automatically switch to the normal mode from which all further settings can be performed. While in the search mode, the remote search icon will be constantly displayed.



No Outdoor Sensor Data



Outdoor Sensor Data Updates

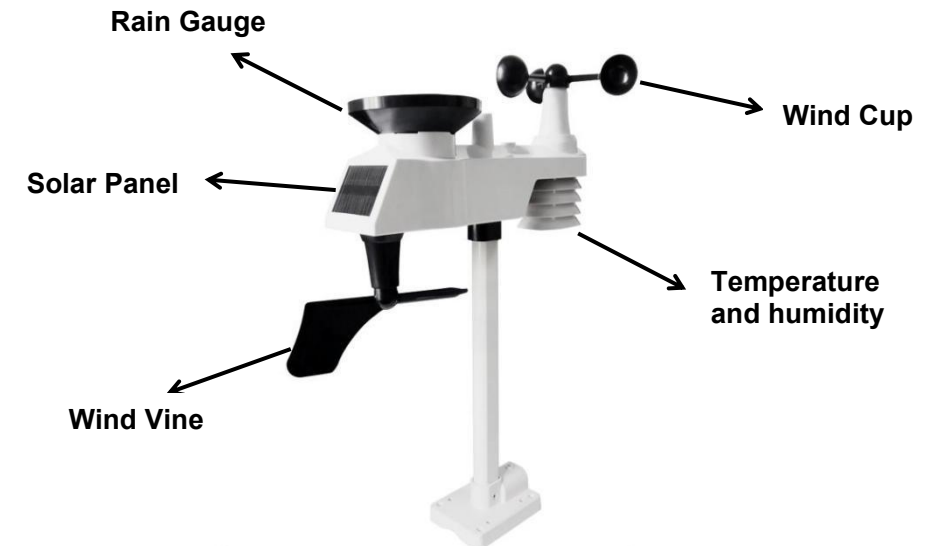
3. Sensors Verification

Put the outdoor sensor array and the indoor console at the same location in good ventilating condition.

1. Verify temperature and humidity. The difference between indoor and outdoor temperatures should be within 4°F/2°C. The difference between indoor and outdoor humidity should be within 10%. Usually the indoor temperature is a little bit higher than outdoor temperature due to warming up effect of the backlight. Let the unit stabilize for at least 30 minutes.

2. Verify wind speed and wind direction. Spin the wind cup and the wind vane and make sure the wind speed and wind direction information on display updates.

3. Verifying Rain gauge. Tip the sensor array back and forth several times. You should hear a “clicking” sound within the rain gauge. Verify the rain reading on the display console is not reading 0.00. Each “click” represents 0.01 inches of rainfall.



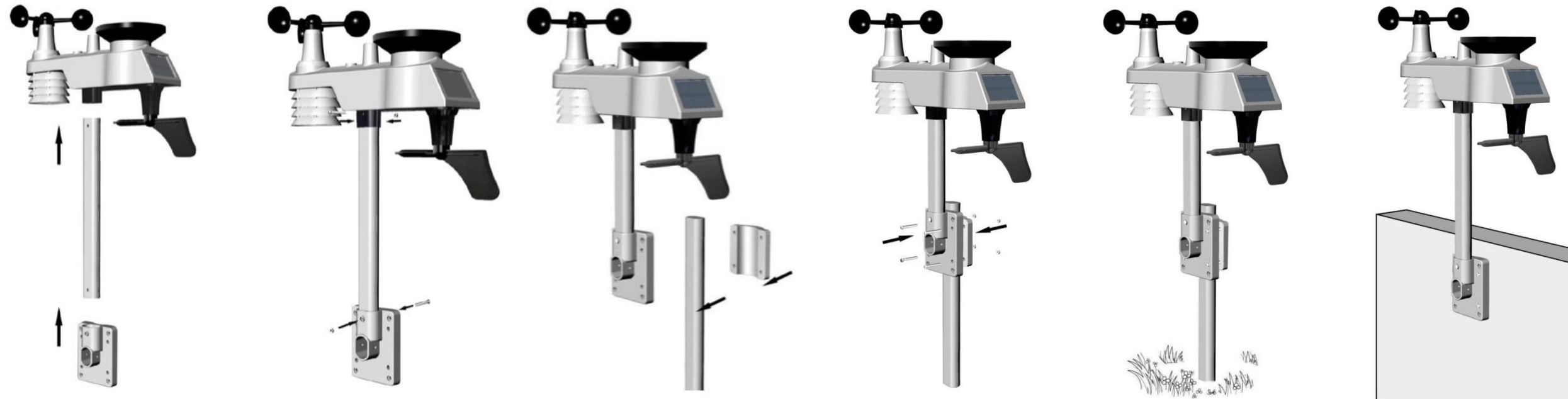
4. Outdoor Integrated Sensor Installation

Fasten the integrated transmitter to mounting pole brackets with foot-mounting, two $\varnothing 3$ bolts and M3 nuts. Tighten the mounting pole to your existing mounting pole with the four $\varnothing 5$ Bolts and M5 Nuts assembly, or fix on the wall with four tapping screw. Please ensure that the outdoor transmitter is fixed particularly tightly, otherwise windy conditions cause the transmitter to shake and thus misread the rainfall data.

Install the sensor array at least four times the distance of the height of the tallest obstruction.



Horizontal Installation



Vertical Installation